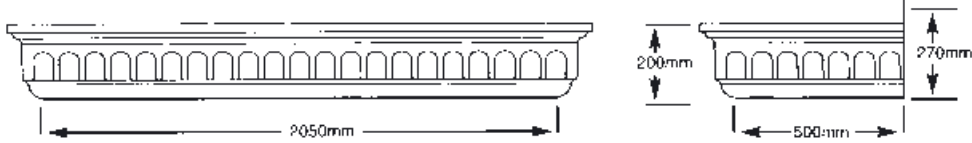


The Castledene

Standard Widths: 1550mm x 500mm & 2050mm x 500mm

They can be made in any size up to a maximum of:

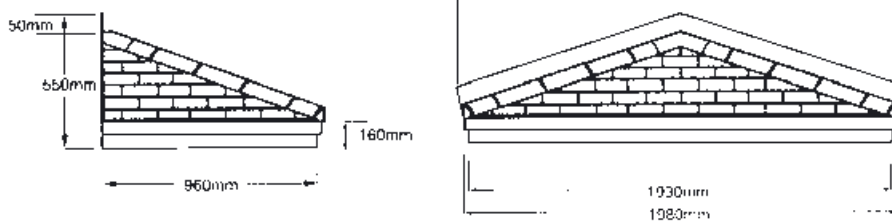
6200mm by (up to) 3300mm in one piece (see page 39, Flexis).



The Suffolk

Traditional porch roof suitable for an overdoor canopy. May be used to create a porch assembly. The Suffolk canopy can be fitted on to frames or brackets.

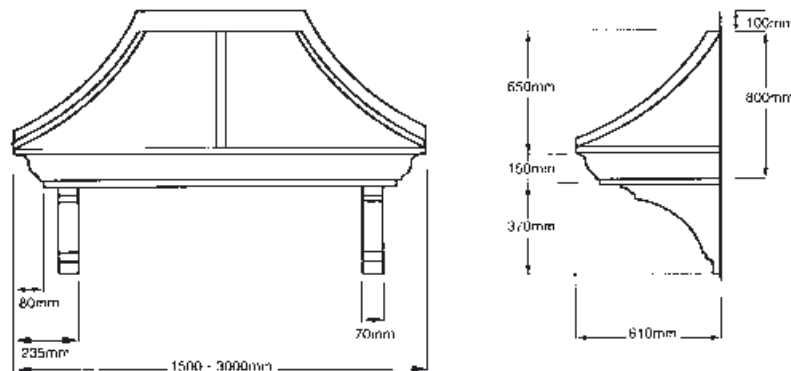
Also available with detailed denture fascia (as Castledene style) complete with built-in gutter system (as above).



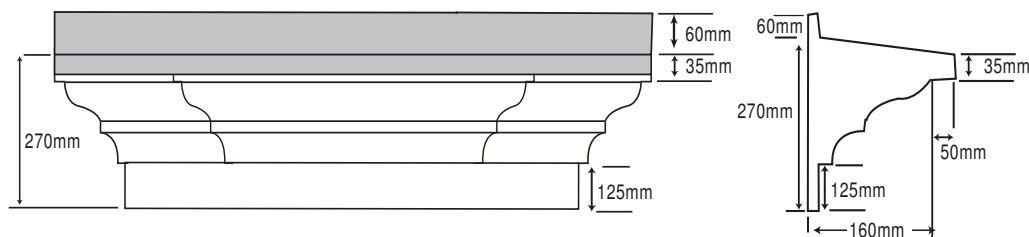
The Sherbourne

Raised lead-look canopy. Rolled lead details over smooth white fascia and soffit with traditional detailing. Includes GRP corbels (BRG5).

Minimum Width: 1500mm Maximum Width: 3000mm



The Richmond



All canopies are supplied with fixing kit and instructions

- Available in White & Brown
- Delivered Approx' 7-14 Days